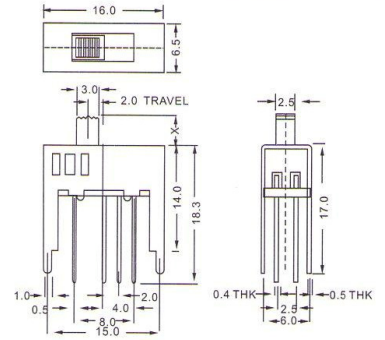
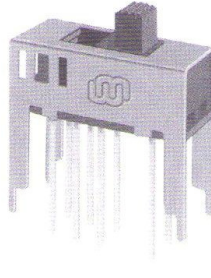
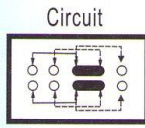
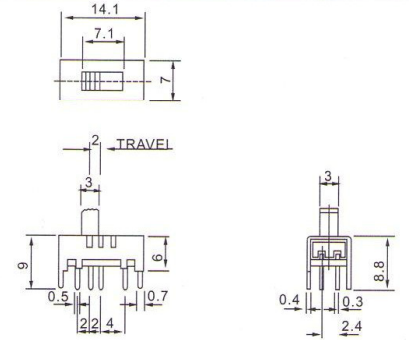
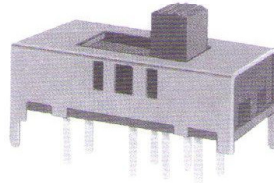
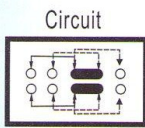


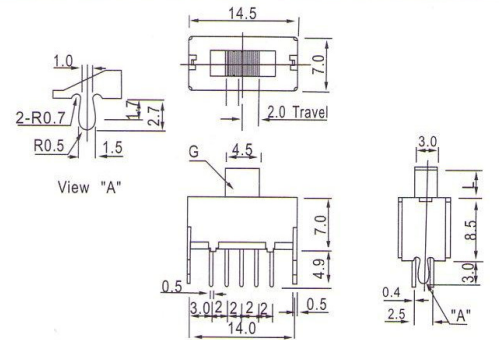
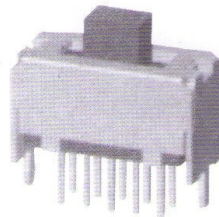
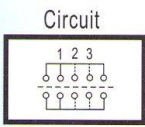
Part No.	SS-23D14
Circuit	2P 3T
Rating	DC 50V 0.3A
Timing	Shorting
Knob Length	G 2-12



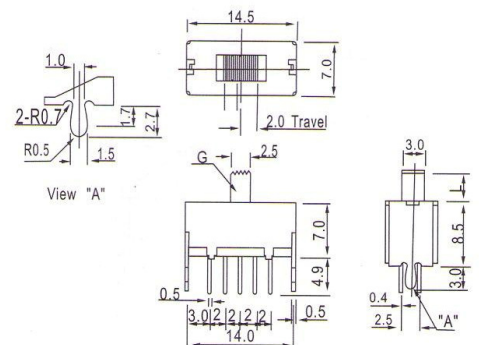
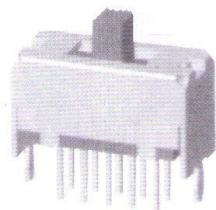
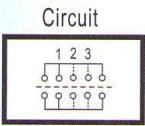
Part No.	SS-23D15
Circuit	2P 3T
Rating	DC 50V 0.3A
Timing	Shorting
Knob Length	G 2-12



Part No.	SS-23D37
Circuit	2P 3T
Rating	DC 30V 0.3A
Timing	Non-Shorting
Knob Length	G 4-9



Part No.	SS-23D38
Circuit	2P 3T
Rating	DC 30V 0.3A
Timing	Non-Shorting
Knob Length	G 4-9



Part No.	SS-23D39
Circuit	2P 3T
Rating	DC 30V 0.3A
Timing	Non-Shorting
Knob Length	G 4-9

